

Check piston bolt play

If it is determined after the piston bolt play that the wear limits have been reached, please contact your DEUTZ SERVICE.



Tools:

- Feeler gauge



Cross references:

- Job Card W 2-12-4

Check piston bolt play

- Remove piston bolts, see job card W 2-12-4.
- Set con-rod 3 upright. Insert the cleaned piston bolt 1 into the cleaned connecting rod bushing 2 until an even protrusion *a* of the piston bolt 1 is available on both sides.
- Measure bearing play *s* with a feeler gauge.
- On reaching the max. permissible play, the parts must be measured off singly and the wearable parts exchanged.
- Install piston bolts, see job card W 2-12-4.

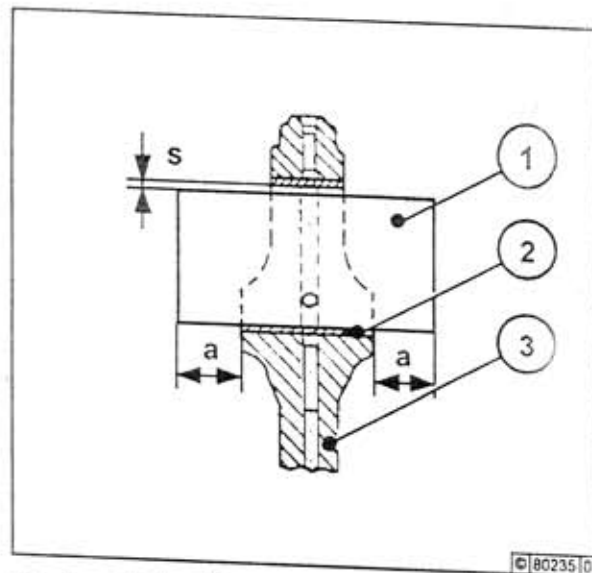


Fig. 1 Piston bolt play

Bearing play	New play	max. permissible play
Piston bolt - Connecting rod bushing	0.121 – 0.192	0.28
Piston bolt - Piston bolt eye	0.010 – 0.035	0.06
Diameter	New dimension	max. permissible dimension
Bushing (internal diameter) (con-rod)	110 $\begin{smallmatrix} +0.177 \\ -0.121 \end{smallmatrix}$	110.257
Piston bolt	110 -0.015	109.975
Piston bolt eye	110.3 $+0.2$	110.55