


remarks

- 1.) The operating terminal and the I/O-Controller are delivered as loose parts. The I/O-Controller has to be mounted in the cabinet for auxiliaries and generator protection by the customer.
- 2.) For supply see page 10.
- 3.) Unless otherwise specified external cables are to be wired with at least 1,0 mm².
For shielded lines 0,75 mm² are sufficient.
Remark: flexible, oil resisting and fine-strand control lines must be used (e.g. NYSLYÖ or NYSLYCYÖ).
- 4.) For connection of shielded lines the shielding may be removed up to max.15 cm length.
5. Contacts of securita chain inputs must be rated at 2 A, 30 V min.
- 6.) Digital inputs must apply at least 150 ms unless they are recognized reliably by the TEM system.
- 7.) Unless otherwise specified internal cables are to be wired with at least 0,75 mm².
For shielded lines 0,25 mm² are sufficient.
- 8.) In case of mains or generator fault the power switch has to be opened directly and quickly to minimize delays.
- 9.) To enable an idle circuit of the corresponding auxiliaries in case of using the emergency button, the operating voltage must be connected or disconnected via relay +A1H1-K100.

- 10.) Safety-critical messages always have to lead to switching off via security chain. For signalling messages are connected to the TEM via parametrizable messages.
- 11.) (not applicable)
- 12.) Notation system for location under DIN 40719 part 2
polarity sign (+), place 4-digit:
=A1+T1: TEM cabinet 1 ... =A+1Tx: Genset TEM x
=A1+A1: genset 1 ... =A1+Ax: genset x
=A1+H1: auxiliaries cabinet 1 ... =A1+Hx: auxiliaries genset x
- 13.) Notation system for components under DIN 40719 part 2
polarity sign (-), species (K,F,U,A,...), page No. 1..2-digit,
path of current No. 1-digit, e.g.: -U17, -A172
- 14.) Notation system for terminals and conn.under DIN 40719 part 2
polarity sign (-), species (X = terminal, J = connector)
- 15.) Notation system for cross-references under DIN 40719 part 2
page No. 1..2-digit, point, path of current No. 1-digit, e.g.: 2.6, 18.0

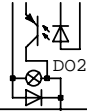
abbreviations:

- AGS: genset cabinet
- GK: intercooler
- HA: auxiliaries
- HAS: auxiliaries cabinet
- HK: heating circuit
- MK: jacket water circuit
- KWT: cooling water heat exchanger
- NK: emergency cooler

Date	25.01.07	Plant	Bogra Bangladesh		 © 2006	Designation	wir.diagram		Order no.	646324/646325/646326/ 646328/646329/646331		Type	=A1 TCG 2032 V16 +T1	
Resp.	Schild	Plant section	Engine						part number	1247 4827 UE		Identure no.	0479-91 page 1 from 40	
State/modif.	Date	name	Norm	25.01.06	Source	replacem. f.								

-D133
13.2

I/QX...1.02



-J133 14

WH/GN

3.5 W133 - 13.2
-W133

-K110 11.1
6


3.9 ----- L- 10.2

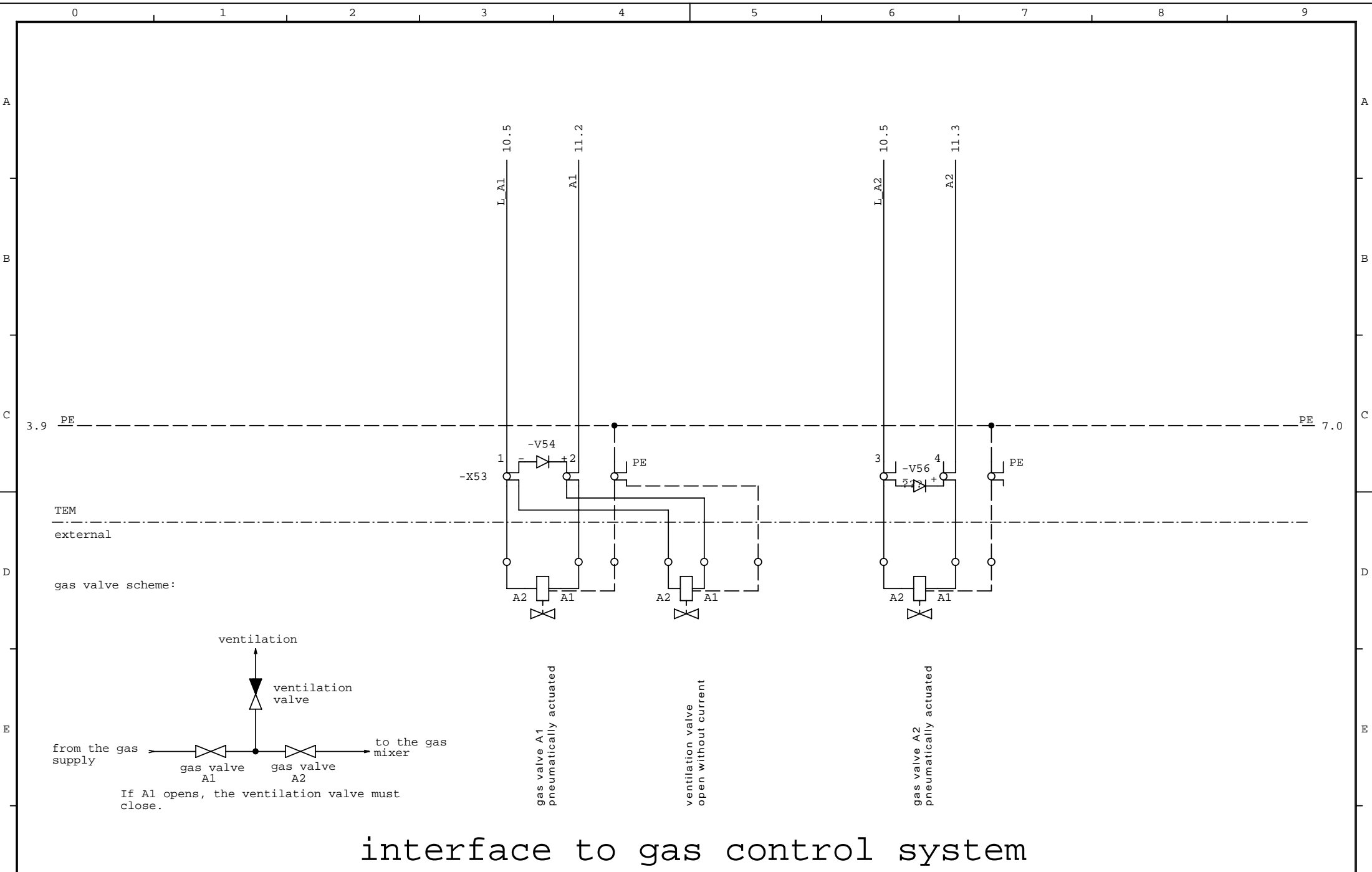
-X44 1 2

TEM
external


+ -
enable (demand)
power switch
+24V at enable
(demand)

enable power switch

			Date	25.01.07	Plant	Bogra Bangladesh		 © 2006	Designation	Order no	Type	=A1
			Resp.	Schild	Plant section		wir.diagram		646324/646325/646326/ 646328/646329/646331	TCG 2032 V16	+T1	
			Chkd.	Bardel	Engine		TEM-Evo-AGS		part number	1247 4827 UE	Identure no.	0479-91
State	modif.	Date	name	Norm	25.01.06	Source	replacem. f.					from 40



interface to gas control system

				Date	25.01.07	Plant	Bogra Bangladesh					Order no.	646324/646325/646326/ 646328/646329/646331	Type	=A1 +T1	
				Resp.	Schild	Plant section			© 2006	Designation		wir.diagram		TCG 2032 V16		
	07.09.07			Chkd.	Bardel	Engine				part number		1247 4827 UE		Identure no.		
State	modif.	Date	name	Norm	25.01.06	Source	replacem. f.				0479-91		page		5	
														from		40

0 1 2 3 4 5 6 7 8 9

A

A

B

B

C

C

D

D


E

E

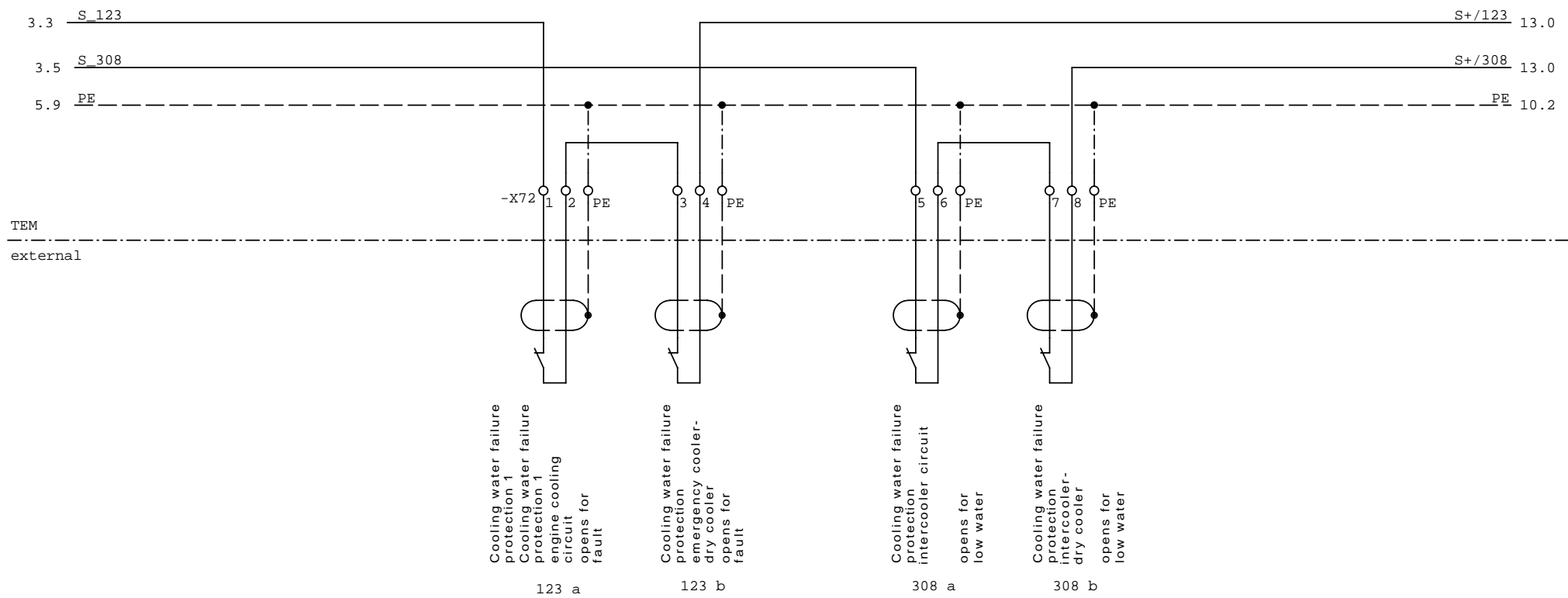
F

F


reserved

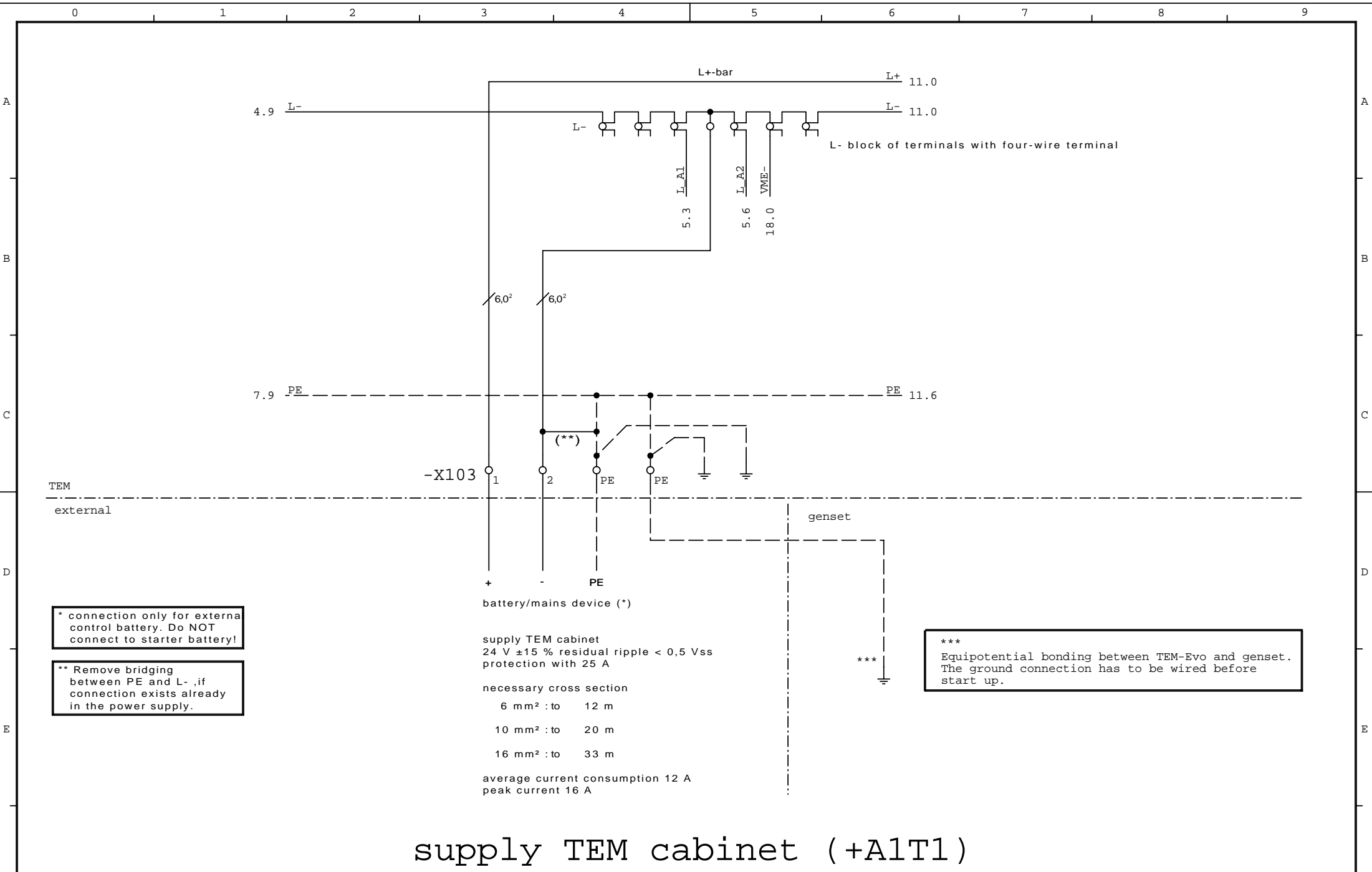
			Date	25.01.07	Plant	Bogra Bangladesh	 © 2006	Designation	Order no.	Type	=A1
			Resp.	Schild	Plant section			wir.diagram	646324/646325/646326/ 646328/646329/646331	TCG 2032 V16	+T1
	05.02.07		Chkd.	Bardel	Engine			TEM-Evo-AGS	part number	Identure no.	page
State	modif.	Date	name	Norm	25.01.06	Source	replacem. f.	1247 4827 UE	0479-91	from	40

0 1 2 3 4 5 6 7 8 9



Low water protection

				Date	25.01.07	Plant	Bogra Bangladesh		 © 2006	Designation	Order no.	Type	=A1		
				Resp.	Schild	Plant section				wir.diagram	646324/646325/646326/ 646328/646329/646331	TCG 2032 V16	+T1		
	05.02.07			Chkd.	Bardel	Engine				TEM-Evo-AGS				page 7	
State	modif.	Date	name	Norm	25.01.06	Source	replacem. f.				part number	1247 4827 UE	Identure no.	0479-91	from 40



* connection only for externa control battery. Do NOT connect to starter battery!

** Remove bridging between PE and L- ,if connection exists already in the power supply.


supply TEM cabinet
24 V ±15 % residual ripple < 0,5 Vss
protection with 25 A

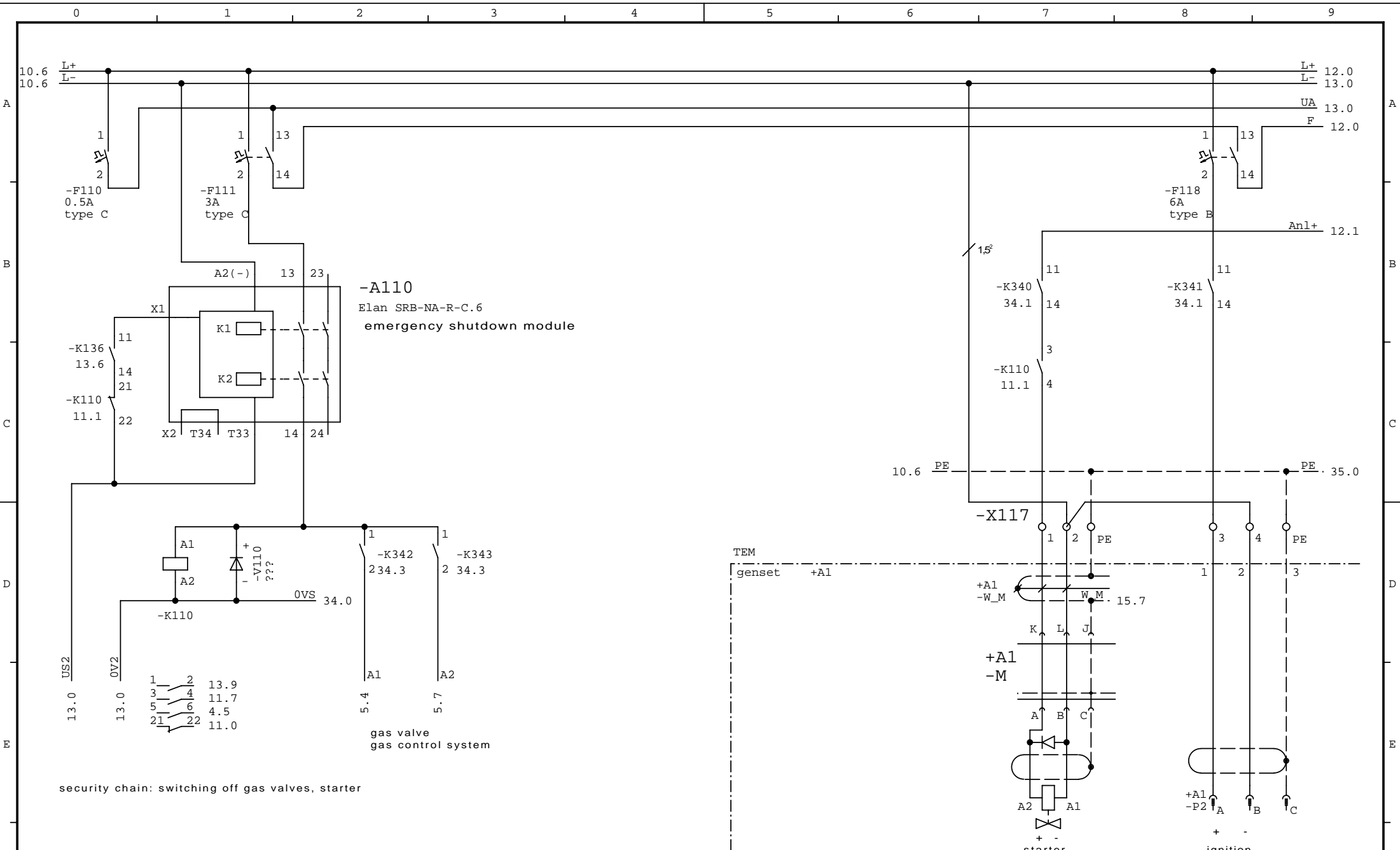
necessary cross section
6 mm² :to 12 m
10 mm² :to 20 m
16 mm² :to 33 m

average current consumption 12 A
peak current 16 A

*** Equipotential bonding between TEM-Evo and genset. The ground connection has to be wired before start up.

supply TEM cabinet (+A1T1)

Date	25.01.07	Plant	Bogra Bangladesh	 © 2006	Designation	Order no.	Type	=A1
Resp.	Schild	Plant section			wir.diagram	646324/646325/646326/ 646328/646329/646331	TCG 2032 V16	+T1
07.09.07	Chkd.	Bardel	Engine		TEM-Evo-AGS	part number	1247 4827 UE	Identure no.
State	modif.	Date	name	Norm	25.01.06	Source	replacem. f.	from 40




-A110
 Elan SRB-NA-R-C.6
 emergency shutdown module

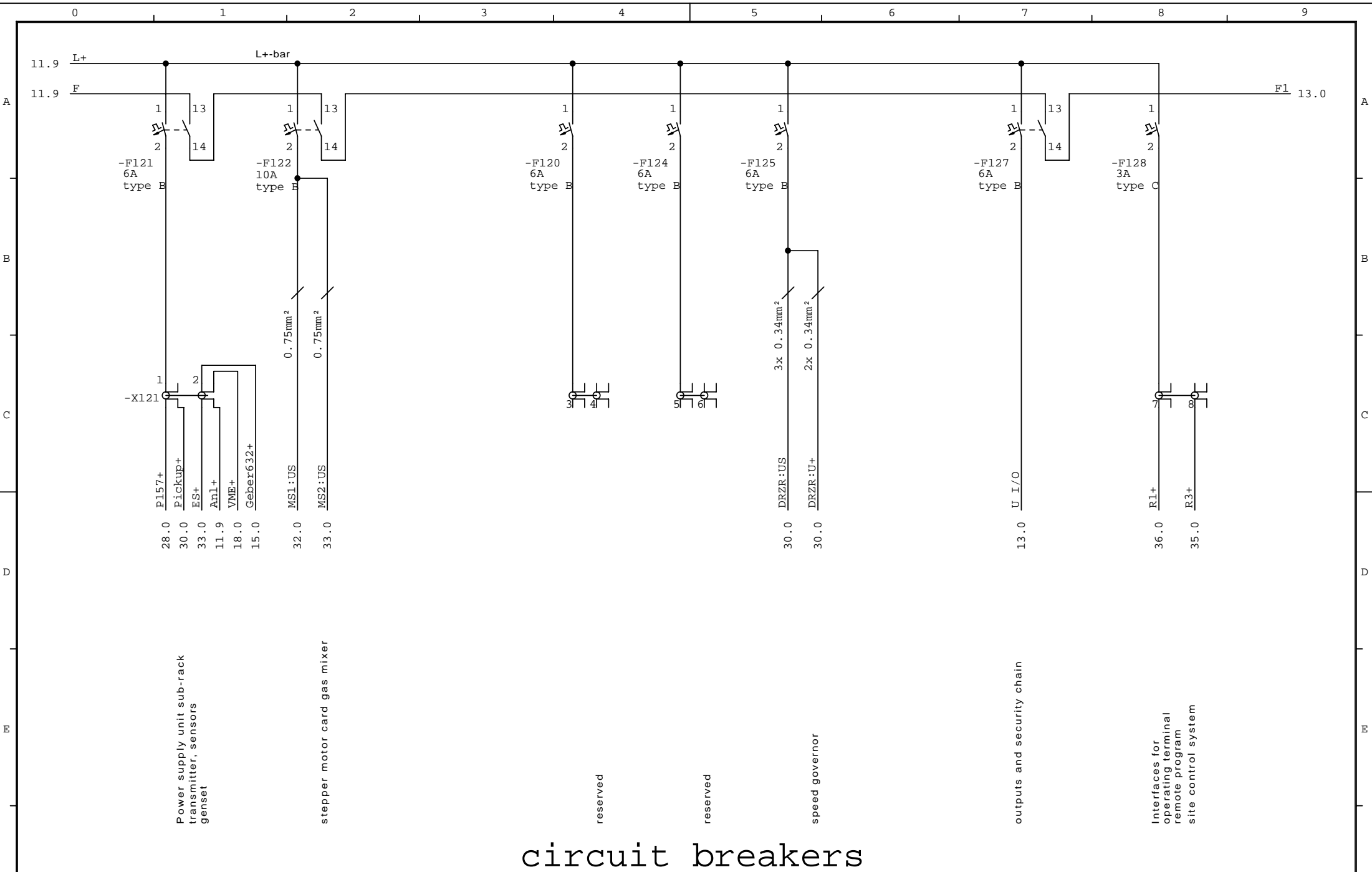
gas valve
 gas control system

security chain: switching off gas valves, starter


gas valves, starter, ignition

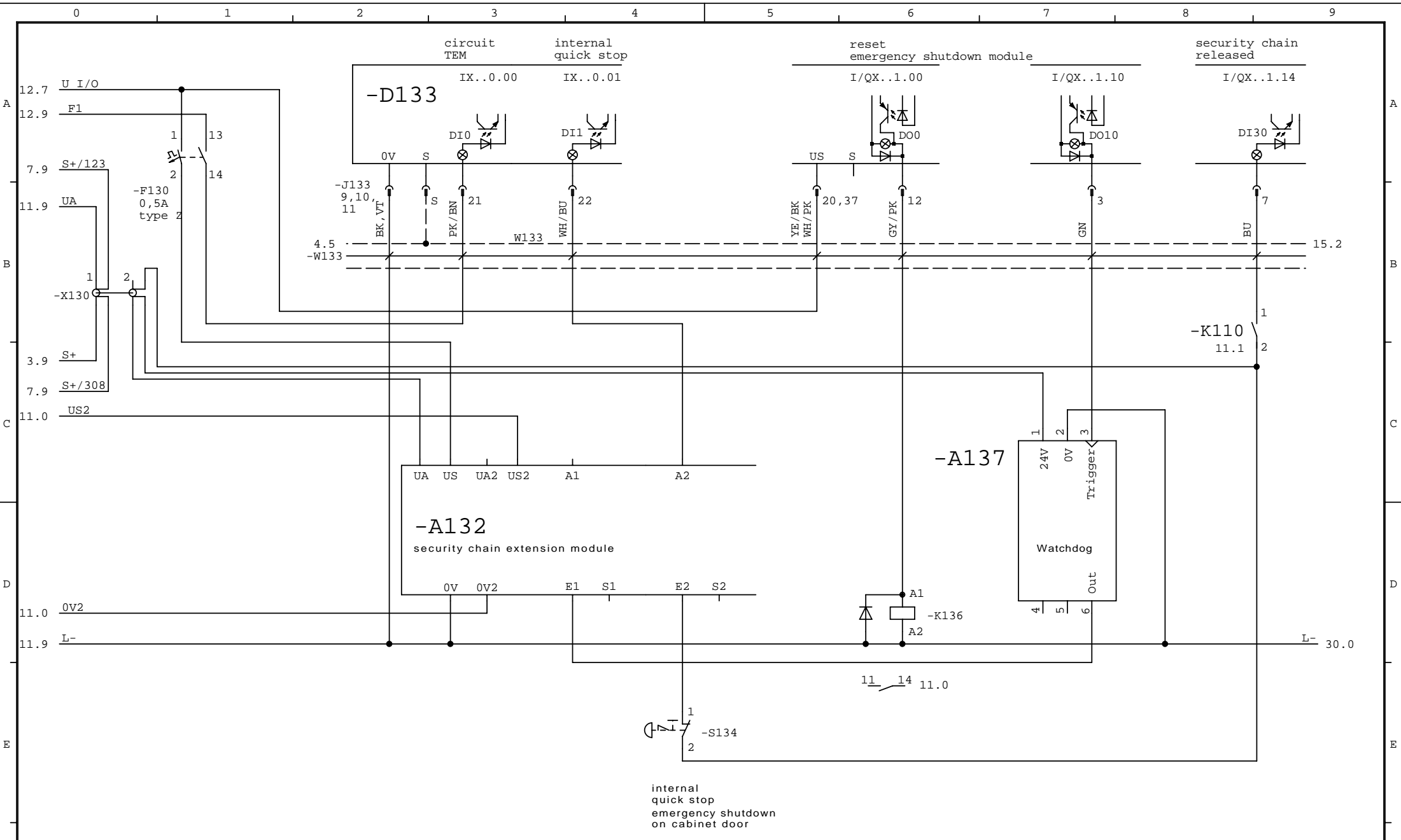
Homologation of all relay under VDE 0435
 All contactors under VDE 0660

			Date	25.01.07	Plant	Bogra Bangladesh	 © 2006	Designation	Order no.	Type	=A1
			Resp.	Schild	Plant section			wir.diagram	646324/646325/646326/ 646328/646329/646331	TCG 2032 V16	+T1
			Chkd.	Bardel	Engine			TEM-Evo-AGS	part number	1247 4827 UE	Identure no.
State	modif.	Date	name	Norm	25.01.06	Source	replacem. f.				page 11 from 40




circuit breakers

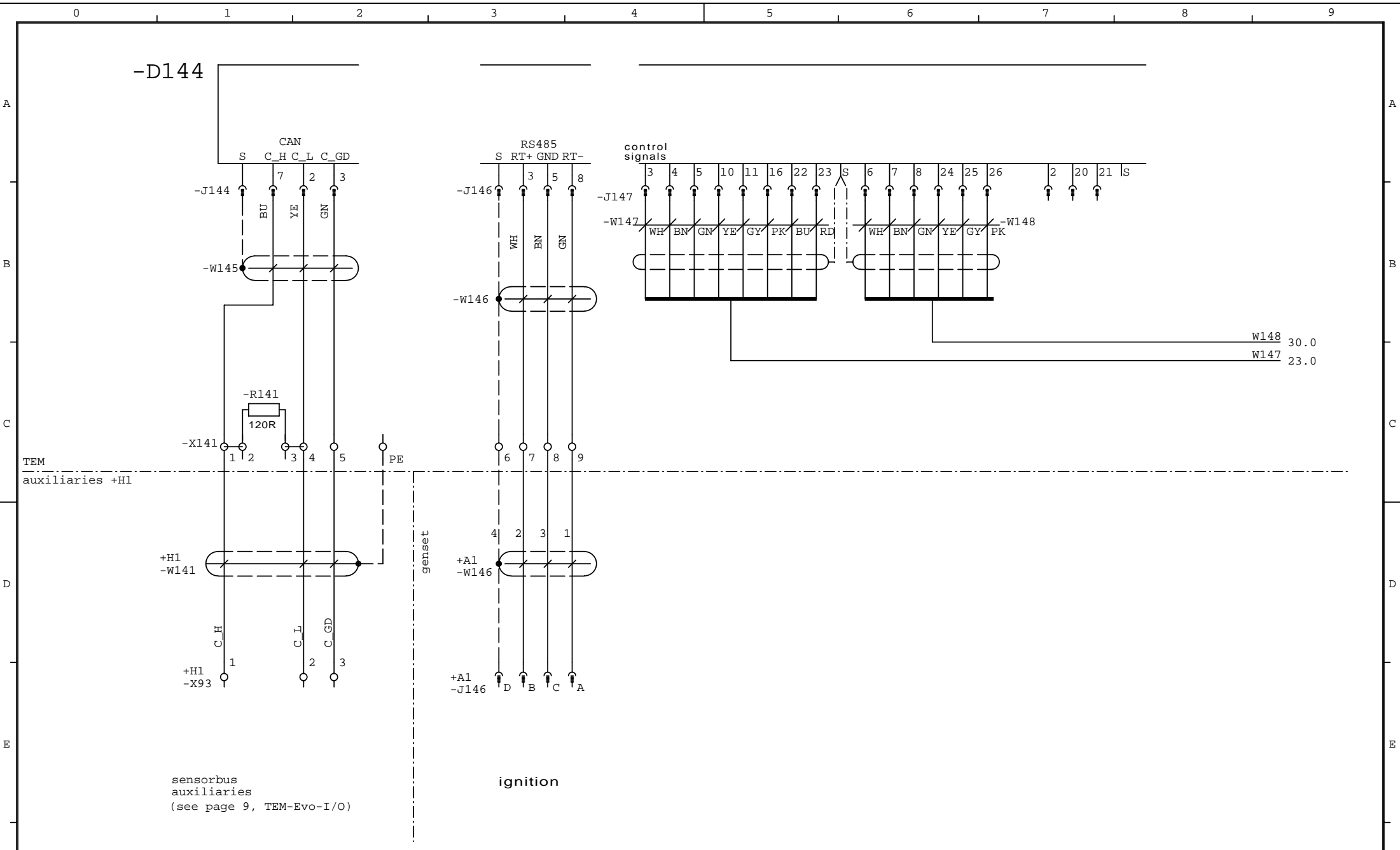
			Date	25.01.07	Plant	Bogra Bangladesh	 © 2006	Designation	Order no.	Type	=A1		
			Resp.	Schild	Plant section			wir.diagram	646324/646325/646326/ 646328/646329/646331	TCG 2032 V16	+T1		
			Chkd.	Bardel	Engine			TEM-Evo-AGS	part number	Identure no.	page	12	
State	modif.	Date	name	Norm	25.01.06	Source	replacem. f.	1247	4827	UE	0479-91	from	40




secu.chain, quick stop, reset, emerg. switch

Date		25.01.07	Plant Bogra Bangladesh		 © 2006	Designation		Order no		Type	=A1
Resp.		Schild	Plant section			wir.diagram		646324/646325/646326/ 646328/646329/646331		TCG 2032 V16	+T1
Chkd.		Bardel	Engine			TEM-Evo-AGS		part number		1247 4827 UE	Identure no.
State	modif.	Date	name	Norm	25.01.06	Source	replacem. f.			0479-91	from 40

-D144



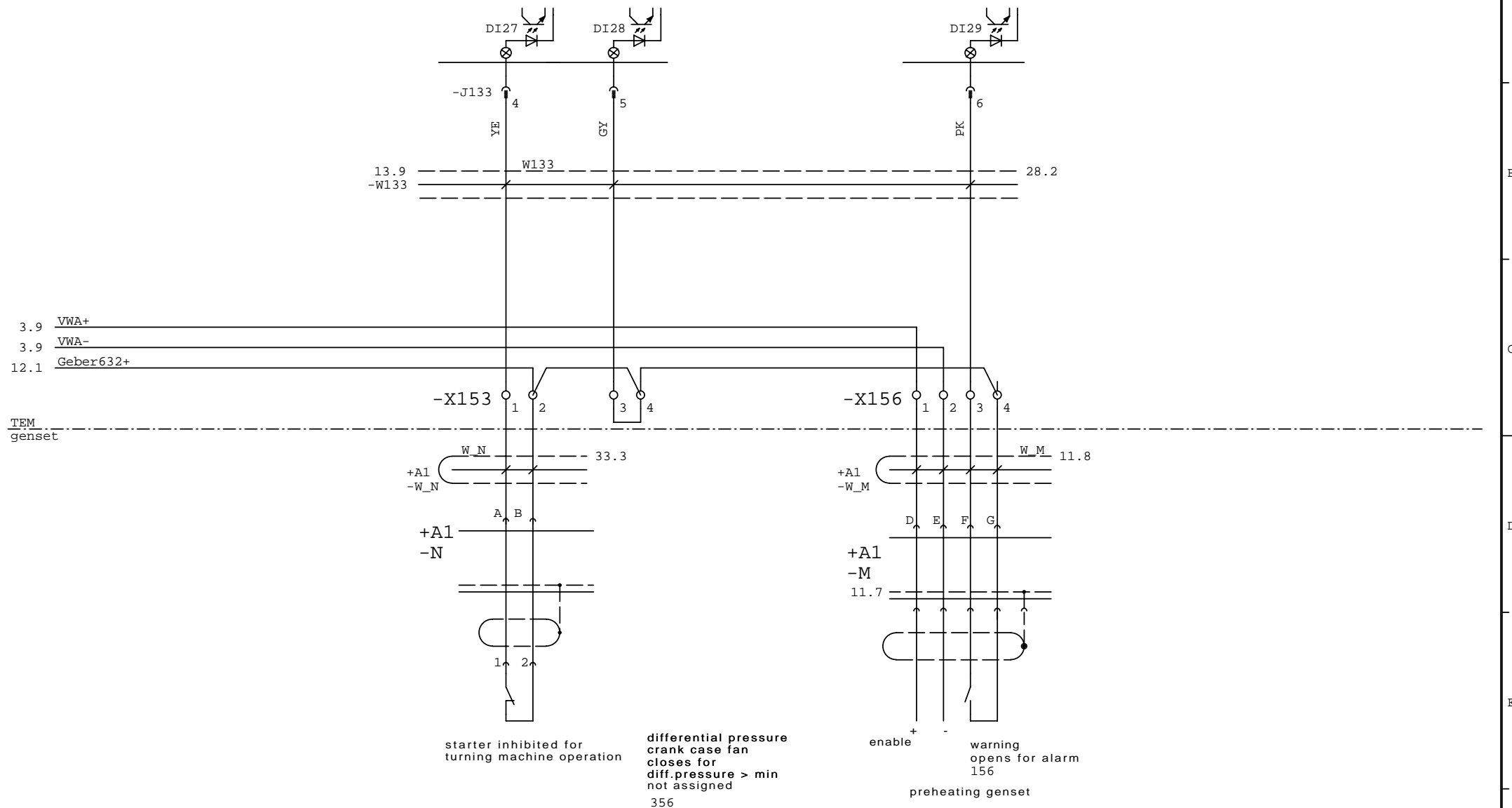
data lines CPU, CAN-BUS and ignition

		Date	25.01.07	Plant	Bogra Bangladesh	 © 2006	Designation	Order no.	Type	=A1
		Resp.	Schild	Plant section	Engine		wir.diagram	646324/646325/646326/ 646328/646329/646331	TCG 2032 V16	+T1
		Chkd.	Bardel	Source	replacem. f.		TEM-Evo-AGS	part number	Identure no.	page 14
State	modif.	Date	name	Norm	25.01.06		1247 4827 UE	0479-91	from 40	


-D133
13.2

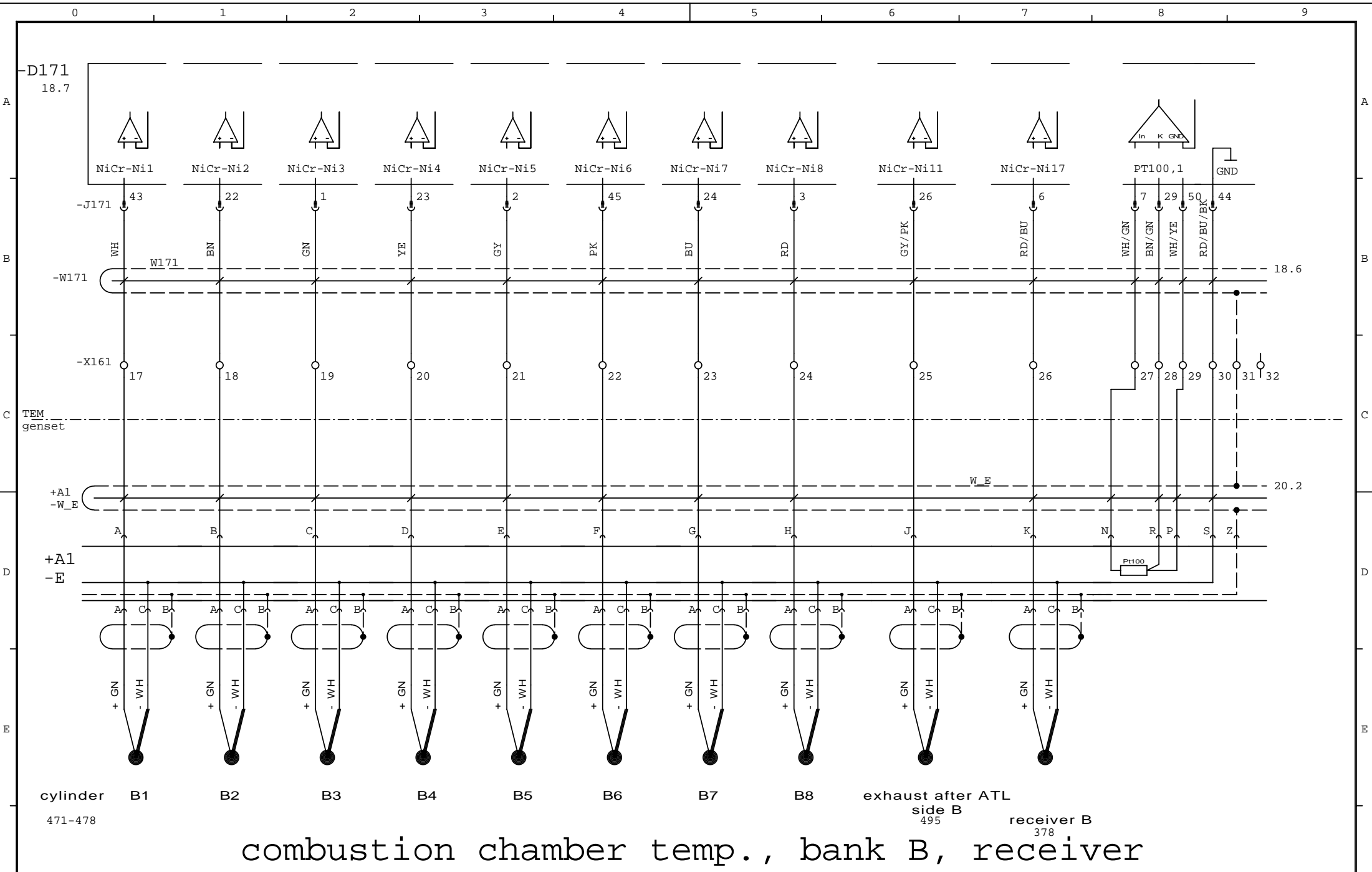
I/QX...1.11 I/QX...1.12

I/QX...1.13



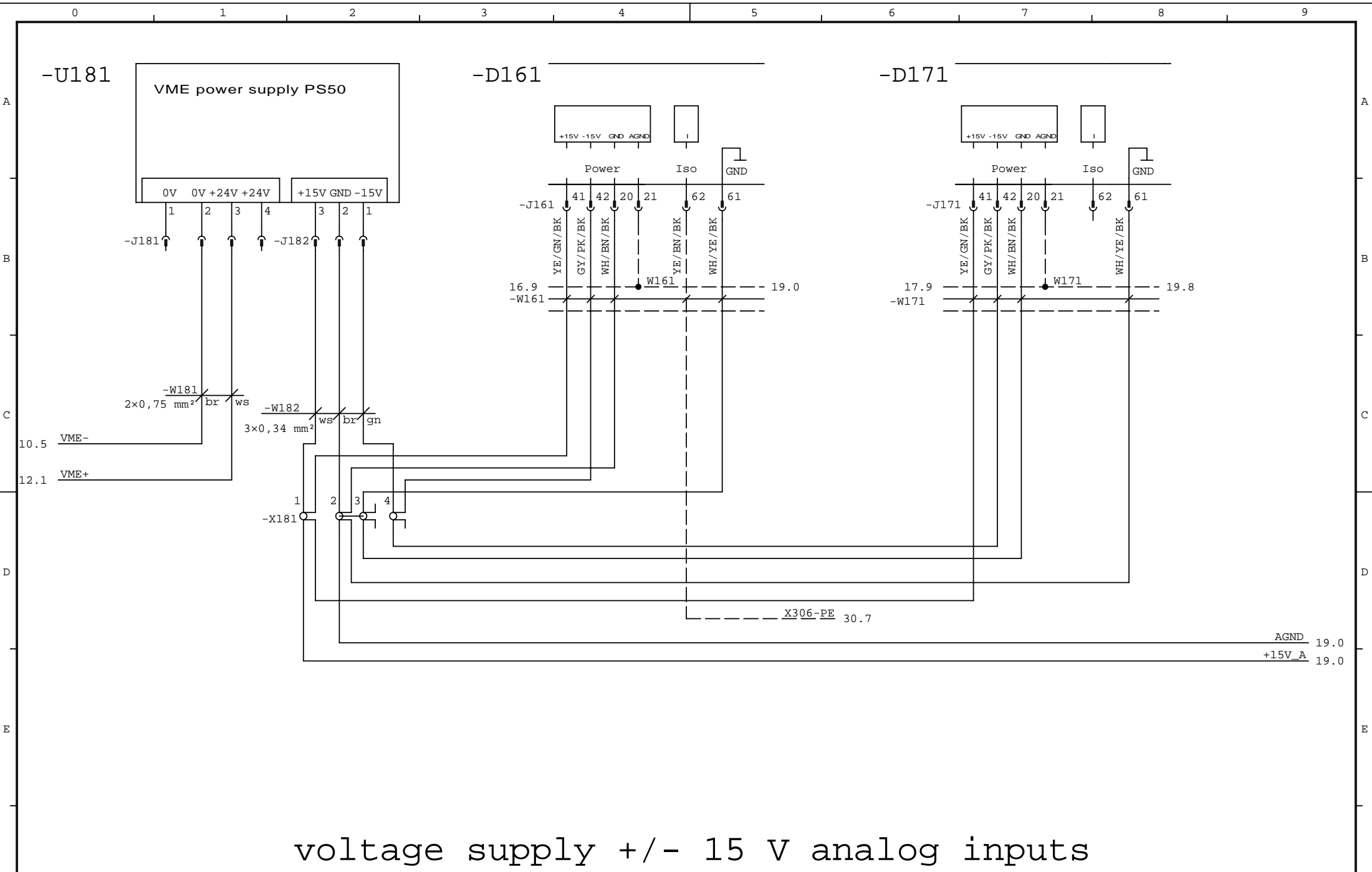
Turning device, preheating genset

			Date	25.01.07	Plant	Bogra Bangladesh	 © 2006	Designation	Order no.	Type	=A1
			Resp.	Schild	Plant section			wir.diagram	646324/646325/646326/ 646328/646329/646331	TCG 2032 V16	+T1
			Chkd.	Bardel	Engine			TEM-Evo-AGS	part number	Identure no.	page 15
State	modif.	Date	name	Norm	25.01.06	Source	replacem. f.	1247 4827 UE	0479-91	from 40	




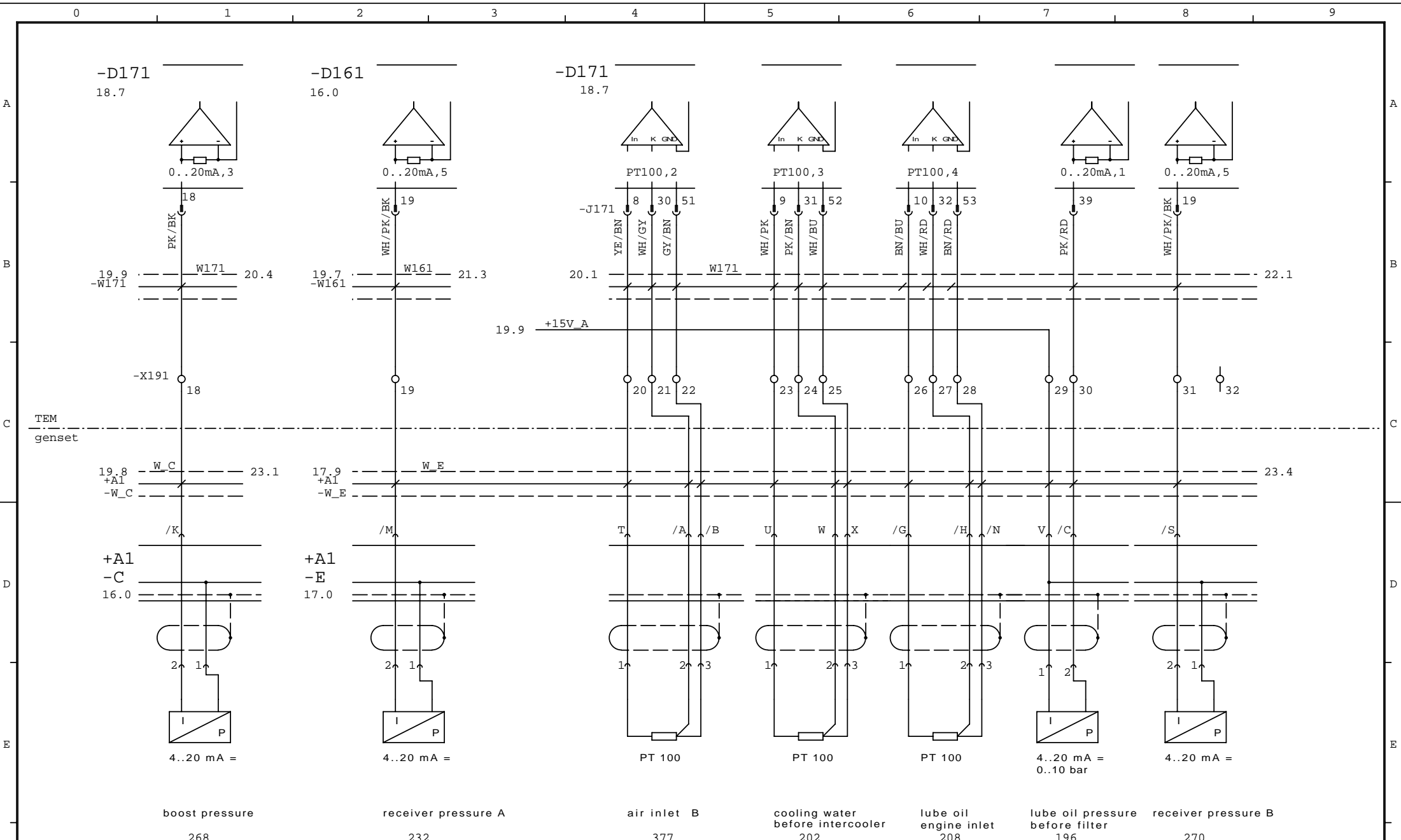
combustion chamber temp., bank B, receiver

			Date	25.01.07	Plant	Bogra Bangladesh		 © 2006	Designation	Order no	Type	
			Resp.	Schild	Plant section				wir.diagram	646324/646325/646326/ 646328/646329/646331	TCG 2032 V16	=A1 +T1
			Chkd.	Bardel	Engine				TEM-Evo-AGS	part number	Identure no.	page
State	modif.	Date	name	Norm	25.01.06	Source	replacem. f.		1247 4827 UE	0479-91	from	40




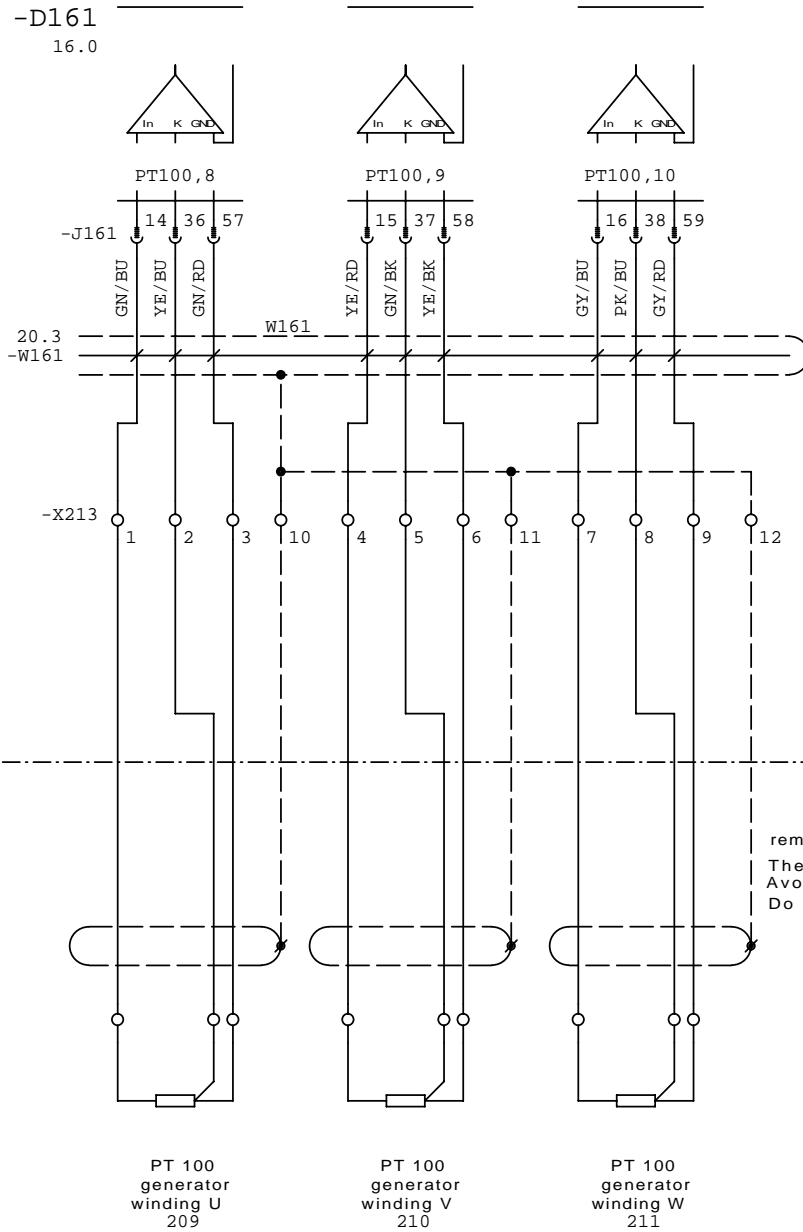
voltage supply +/- 15 V analog inputs

			Date	25.01.07	Plant	Bogra Bangladesh		 © 2006	Designation	Order no	Type	=A1	
			Resp.	Schild	Plant section				wir.diagram	646324/646325/646326/ 646328/646329/646331	TCG 2032 V16	+T1	
			Chkd.	Bardel	Engine				TEM-Evo-AGS	part number	Identure no.	page	18
State	modif.	Date	name	Norm	25.01.06	Source	replacem. f.			1247 4827 UE	0479-91	from	40



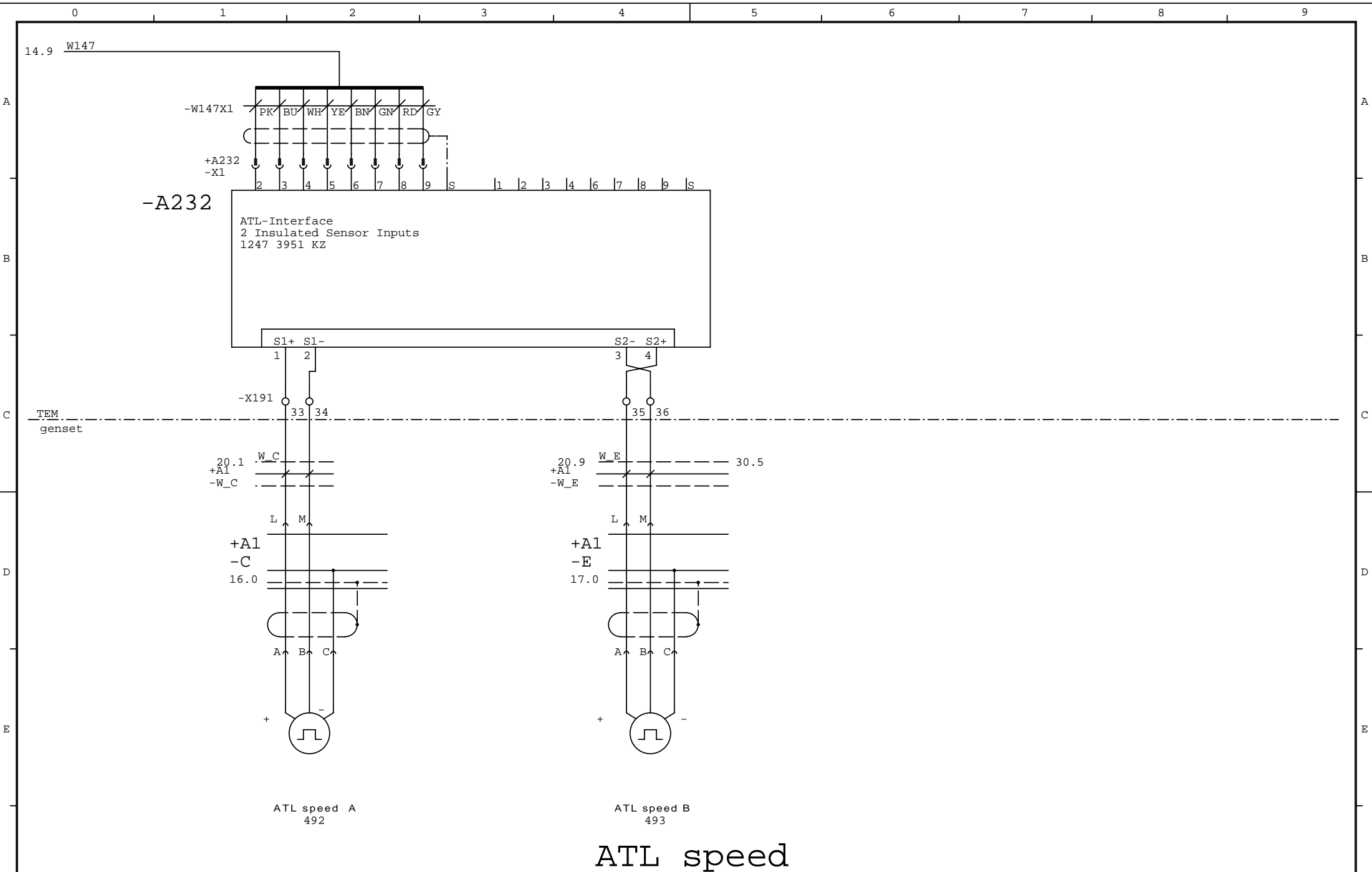
temperature and pressure measurement: genset

				Date	25.01.07	Plant	Bogra Bangladesh		 © 2006	Designation	Order no	Type	
				Resp.	Schild	Plant section				wir.diagram	646324/646325/646326/ 646328/646329/646331	TCG 2032 V16	=A1 +T1
				Chkd.	Bardel	Engine				TEM-Evo-AGS	part number	Identure no.	page
State	modif.	Date	name	Norm	25.01.06	Source	replacem. f.			1247 4827 UE	0479-91	from	20 40




temperature measurement: generator windings

			Date	25.01.07	Plant	Bogra Bangladesh		 © 2006	Designation	Order no	Type	
			Resp.	Schild	Plant section				wir.diagram	646324/646325/646326/ 646328/646329/646331	TCG 2032 V16	=A1 +T1
			Chkd.	Bardel	Engine				TEM-Evo-AGS	part number	Identure no.	page
State	modif.	Date	name	Norm	25.01.06	Source	replacem. f.		1247 4827 UE	0479-91	from	40



ATL speed

			Date	25.01.07	Plant	Bogra Bangladesh	 © 2006	Designation	Order no.	Type	=A1
			Resp.	Schild	Plant section			wir.diagram	646324/646325/646326/ 646328/646329/646331	TCG 2032 V16	+T1
			Chkd.	Bardel	Engine			TEM-Evo-AGS	part number	Identure no.	page
State	modif.	Date	name	Norm	25.01.06	Source	replacem. f.	1247 4827 UE	0479-91	from	23 40

0 1 2 3 4 5 6 7 8 9

A

A

B

B

C

C

D

D


E

E

F

F


reserved

			Date	25.01.07	Plant	Bogra Bangladesh	 © 2006	Designation	Order no.	Type	=A1
			Resp.	Schild	Plant section			wir.diagram	646324/646325/646326/ 646328/646329/646331	TCG 2032 V16	+T1
			Chkd.	Bardel	Engine			TEM-Evo-AGS	part number	Identure no.	page
State	modif.	Date	name	Norm	25.01.06	Source	replacem. f.	1247 4827 UE	0479-91	from	24 40

0 1 2 3 4 5 6 7 8 9




reserve terminals

			Date	25.01.07	Plant	Bogra Bangladesh		 © 2006	Designation	wir.diagram		Order no.	646324/646325/646326/ 646328/646329/646331		Type	=A1
			Resp.	Schild	Plant section								TCG 2032 V16			+T1
			Chkd.	Bardel	Engine								part number			page 25
State	modif.	Date	name	Norm	25.01.06	Source	replacem. f.		TEM-Evo-AGS	1247	4827	UE	Identure no.	0479-91	from	40



reserve terminals

				Date	25.01.07	Plant	Bogra Bangladesh		 © 2006	Designation	Order no.	Type	=A1
				Resp.	Schild	Plant section		wir.diagram		646324/646325/646326/ 646328/646329/646331	TCG 2032 V16	+T1	
				Chkd.	Bardel	Engine		TEM-Evo-AGS		part number	1247 4827 UE	Identure no.	0479-91
State	modif.	Date	name	Norm	25.01.06	Source	replacem. f.						from 40

0 1 2 3 4 5 6 7 8 9

A

A

B

B

C

C

D

D


E

E

F

F

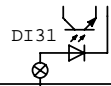
reserved

			Date	25.01.07	Plant	Bogra Bangladesh	 © 2006	Designation	Order no.	Type	=A1
			Resp.	Schild	Plant section			wir.diagram	646324/646325/646326/ 646328/646329/646331	TCG 2032 V16	+T1
			Chkd.	Bardel	Engine			TEM-Evo-AGS	part number	Identure no.	page
State	modif.	Date	name	Norm	25.01.06	Source	replacem. f.	1247 4827 UE	0479-91	from	27 40

0 1 2 3 4 5 6 7 8 9

-D133
13.2

I/QX..1.15



-J133
8

15.6
-W133

W133

34.0

RD

12.1 P157+


-X282
1 2

TEM
genset

exhaust back pressure
too high
opens for too
high pressure

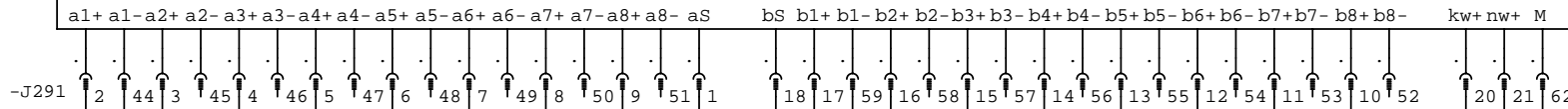
157

transmitter exhaust back pressure

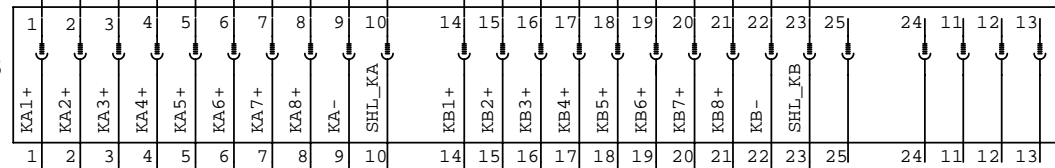
			Date	25.01.07	Plant	Bogra Bangladesh	 © 2006	Designation	Order no.	Type	=A1
			Resp.	Schild	Plant section			wir.diagram	646324/646325/646326/ 646328/646329/646331	TCG 2032 V16	+T1
			Chkd.	Bardel	Engine			TEM-Evo-AGS	part number	Identure no.	page
State	modif.	Date	name	Norm	25.01.06	Source	replacem. f.	1247 4827 UE	0479-91	from	40

-D291

anti-knock governor

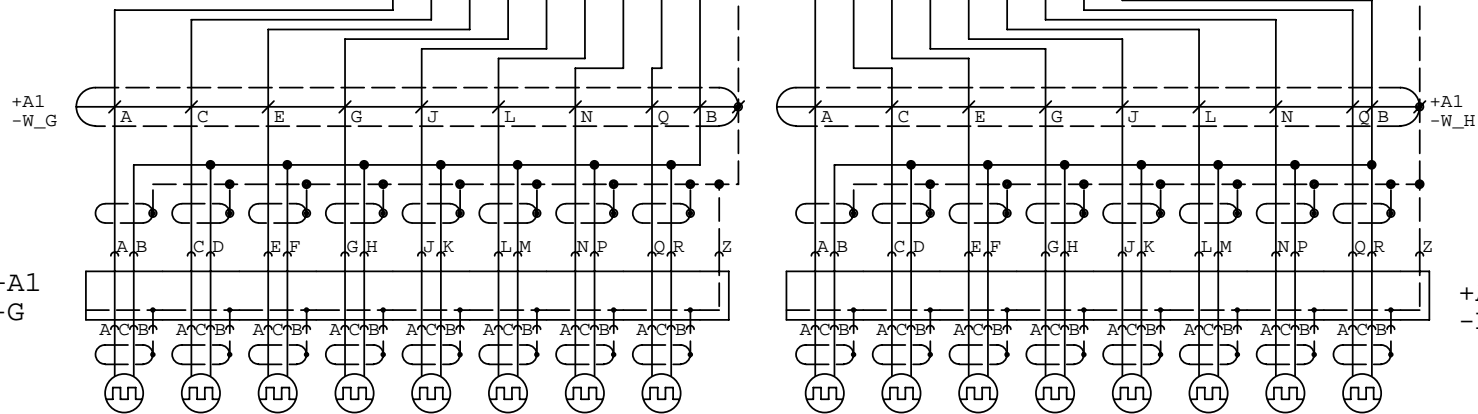


-A293



S D291	30.0
WH M D291	30.0
BN nw+ D291	30.0
GN kw+ D291	30.0

TEM
genset




knock sensors bank A

241 242 243 244 245 246 247 248

251 252 253 254 255 256 257 258

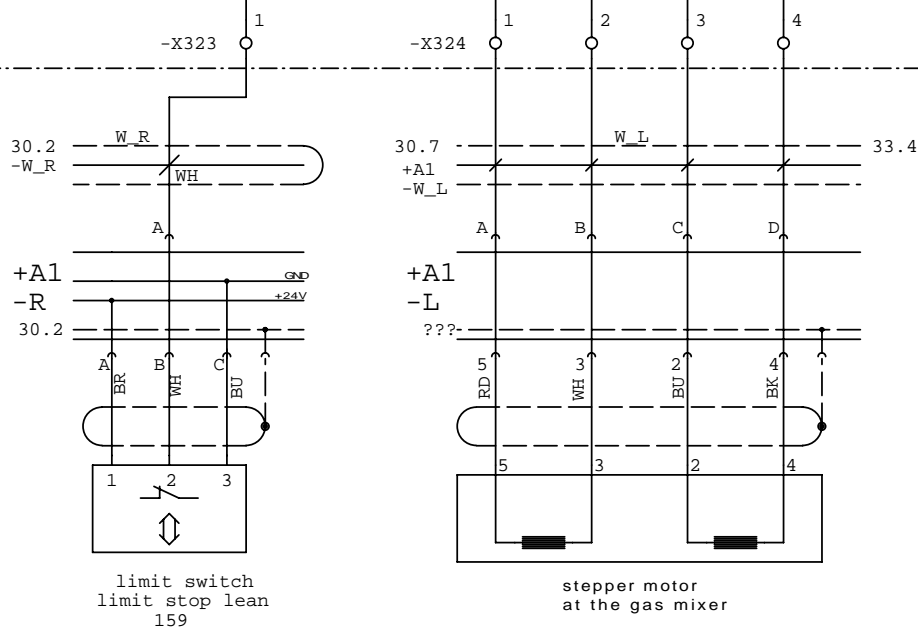
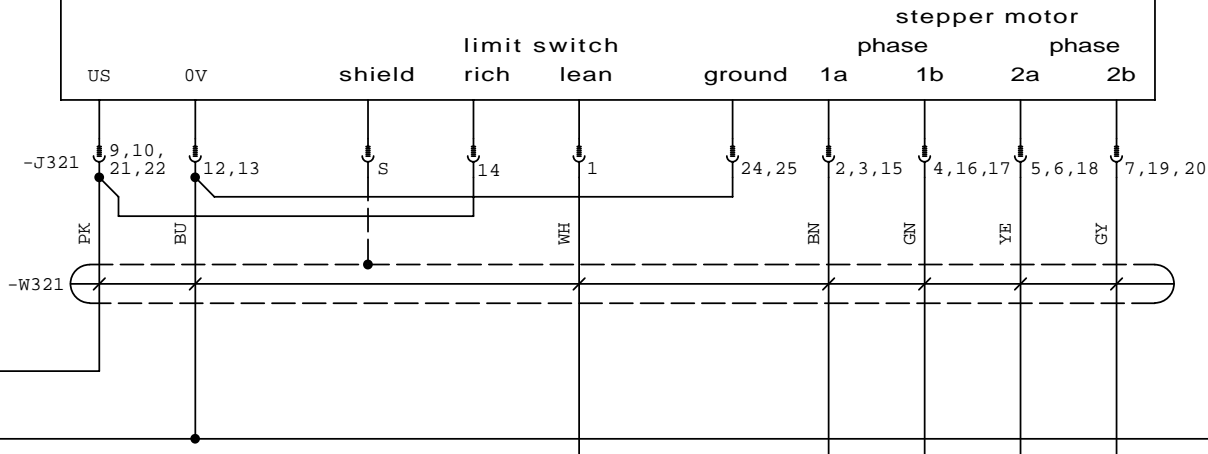
knock sensors bank B

interface anti-knock governor


Date	25.01.07	Plant	Bogra Bangladesh	 © 2006	Designation	wir.diagram	Order no.	646324/646325/646326/ 646328/646329/646331	Type	=A1 +T1
Resp.	Schild	Plant section	Engine		part number	1247 4827 UE	Identure no.	0479-91	page	29
State/Modif.	Date	name	Norm		Source	replacem. f.			from	40
	07.09.07	Chkd.	Bardel							

-D321

stepper motor card

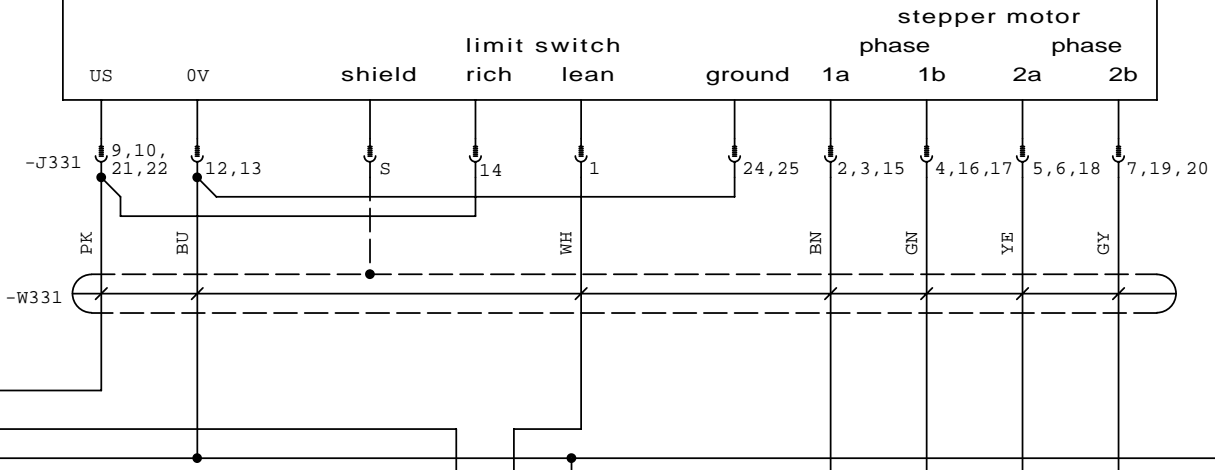


stepper motor card, mixer, bank A

			Date	25.01.07	Plant	Bogra Bangladesh	 © 2006	Designation	Order no.	Type	=A1
			Resp.	Schild	Plant section			wir.diagram	646324/646325/646326/ 646328/646329/646331	TCG 2032 V16	+T1
			Chkd.	Bardel	Engine			TEM-Evo-AGS	part number	Identure no.	page 32
State	modif.	Date	name	Norm	25.01.06	Source	replacem. f.	1247 4827 UE	0479-91	from 40	

-D331

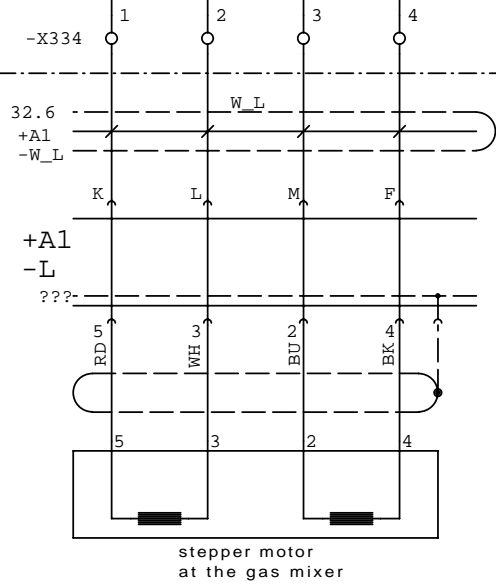
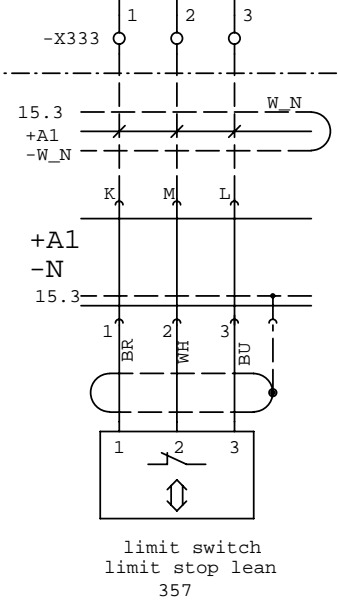
stepper motor card




12.2 MS2:US
12.1 ES+
32.9 L-

L- 34.0

TEM
genset

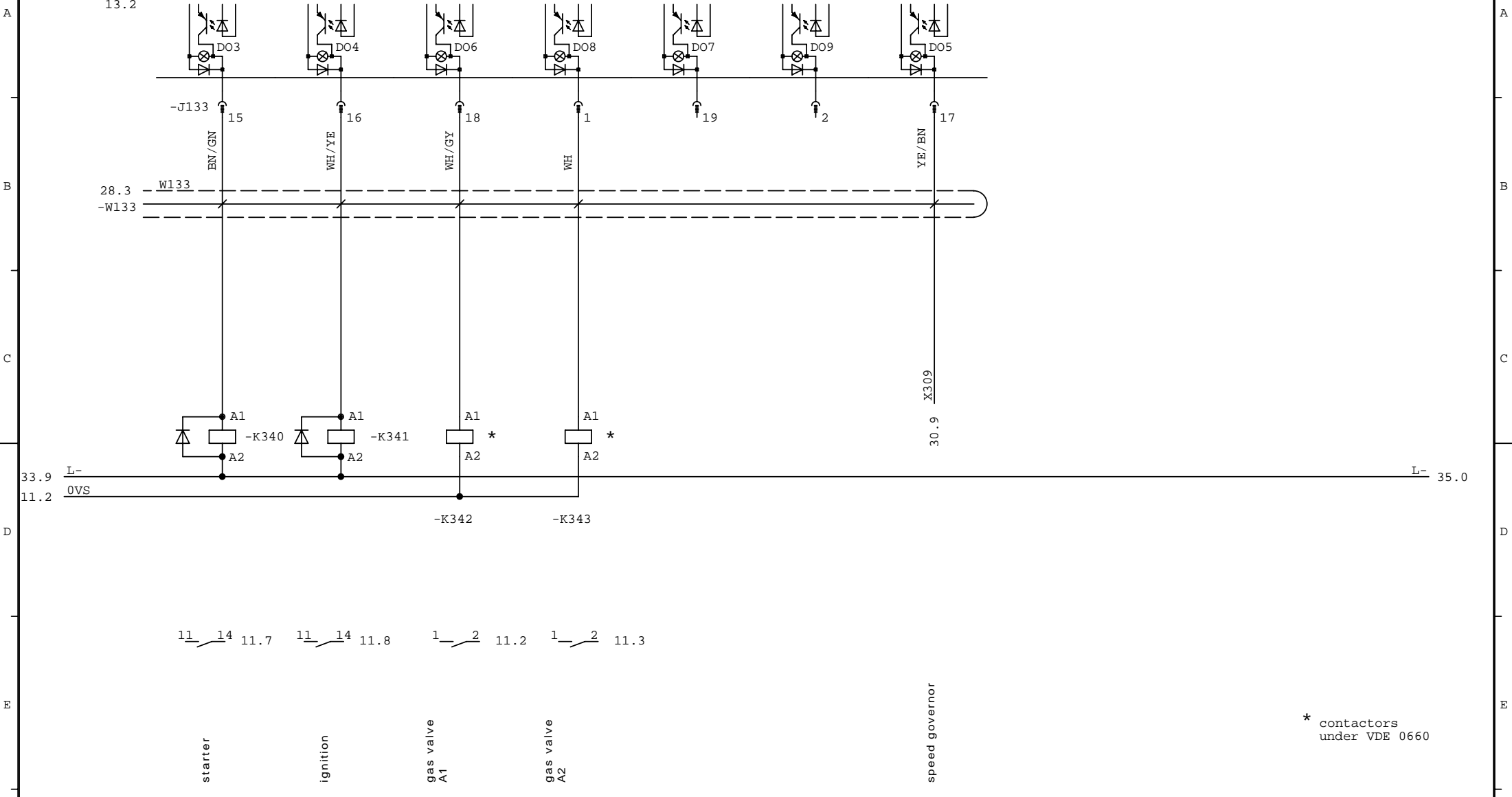


stepper motor card, mixer, bank B


			Date	25.01.07	Plant	Bogra Bangladesh	 © 2006	Designation	Order no	Type	=A1
			Resp.	Schild	Plant section			wir.diagram	646324/646325/646326/ 646328/646329/646331	TCG 2032 V16	+T1
			Chkd.	Bardel	Engine			TEM-Evo-AGS	part number	Identure no.	page
State	modif.	Date	name	Norm	25.01.06	Source	replacem. f.	1247 4827 UE	0479-91	from	33 40

-D133
13.2

I/QX..1.03 I/QX..1.04 I/QX..1.06 I/QX..1.08 I/QX..1.07 I/QX..1.09 I/QX..1.05



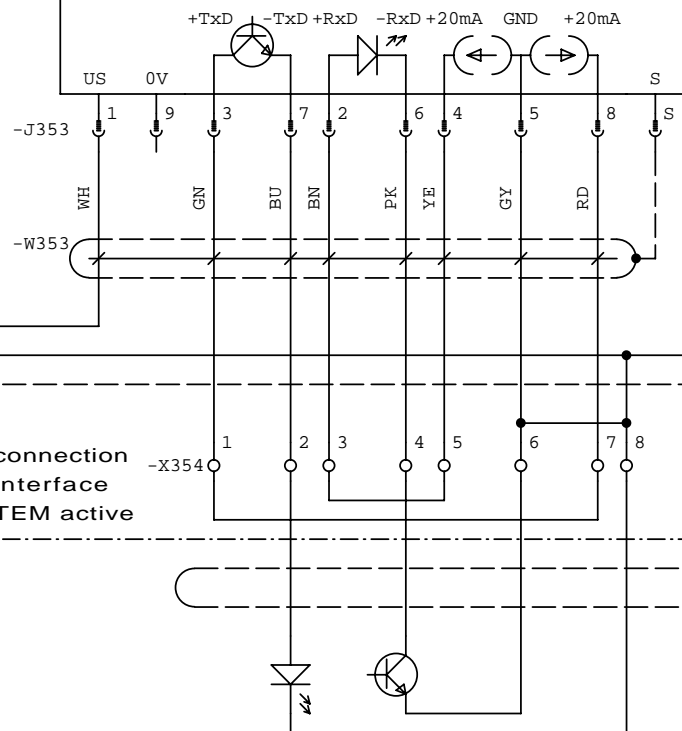
triggering aux. relay, speed governor, starter

			Date	25.01.07	Plant	Bogra Bangladesh	 © 2006	Designation	Order no.	Type	=A1
			Resp.	Schild	Plant section			wir.diagram	646324/646325/646326/ 646328/646329/646331	TCG 2032 V16	+T1
			Chkd.	Bardel	Engine			TEM-Evo-AGS	part number	Identure no.	page
State	modif.	Date	name	Norm	25.01.06	Source	replacem. f.	1247 4827 UE	0479-91	from	34 40

-D353

TTY interface

mounted in -D144



supply for source of current
12.8 R3+
34.9 L-
11.9 PE

L- 36.0
PE 36.0

TEM external

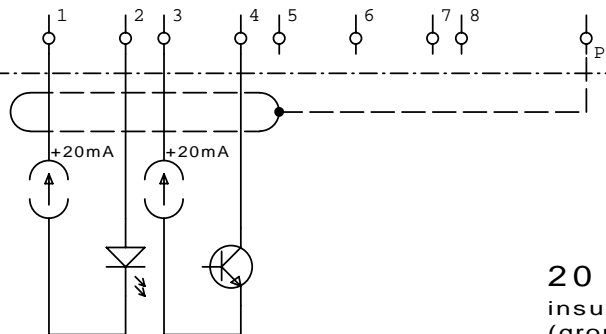
connection interface TEM active

20 mA current loop passive

external


alternatively:

connection interface TEM passive



20 mA current loop active
insulation supply L-
(ground of 24V-supply
in the TEM cabinet): max. 100 V

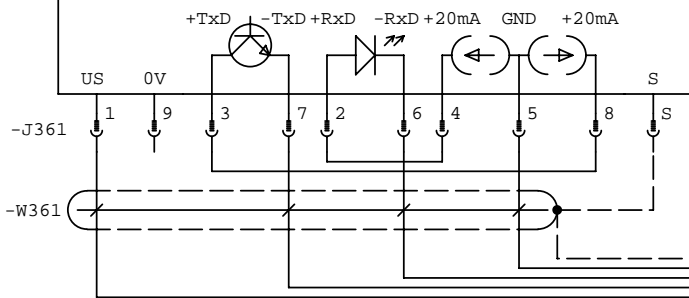
serial interface for site control syst.

Date	25.01.07	Plant	Bogra Bangladesh	 © 2006	Designation	Order no.	Type	=A1	
Resp.	Schild	Plant section			wir.diagram	646324/646325/646326/ 646328/646329/646331	TCG 2032 V16	+T1	
Chkd.	Bardel	Engine			TEM-Evo-AGS	part number	1247 4827 UE	Identure no.	0479-91
State	modif.	Date	name	Norm	25.01.06	Source	replacem. f.	page	35
								from	40

-D361

mounted in -D144

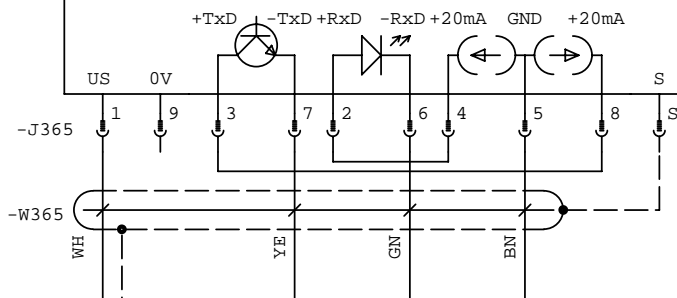
TTY interface



-D365

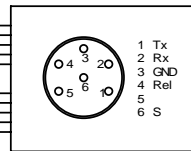
mounted in -D144

TTY interface

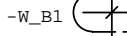
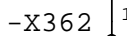
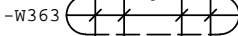
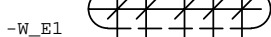
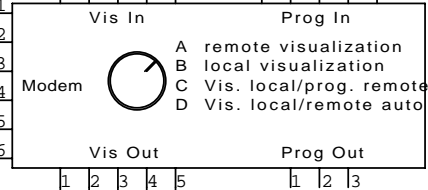


connection service PC

-A364



-D364
FAE-M



35.9 L-
12.8 R1+
35.9 PE

TEM
external

see wiring diagram
TEM-Evo modem system
1247 4829 UE 0479-91

IAE_Rx
IAE_Tx
IAE_DCD
IAE_SGND
IAE_Prog


Visu_TxD
Visu_RxD
Visu_GND

see wiring diagram
TEM-Evo-I/O-Controller
1247 4828 UE 0479-91

intelligent selection unit

operating terminal

interface to operating terminal and IAE

Date	25.01.07	Plant	Bogra Bangladesh		Designation	Order no.	Type	=A1
Resp.	Schild	Plant section	Engine					wir.diagram
State	07.09.07	name	Bardel	© 2006	TEM-Evo-AGS	part number	Identure no.	page 36
modif.	Date	Norm	25.01.06	Source	replacem. f.	1247 4827 UE	0479-91	from 40

0 1 2 3 4 5 6 7 8 9

A

A

B

B

C

C

D

D


E

E

F

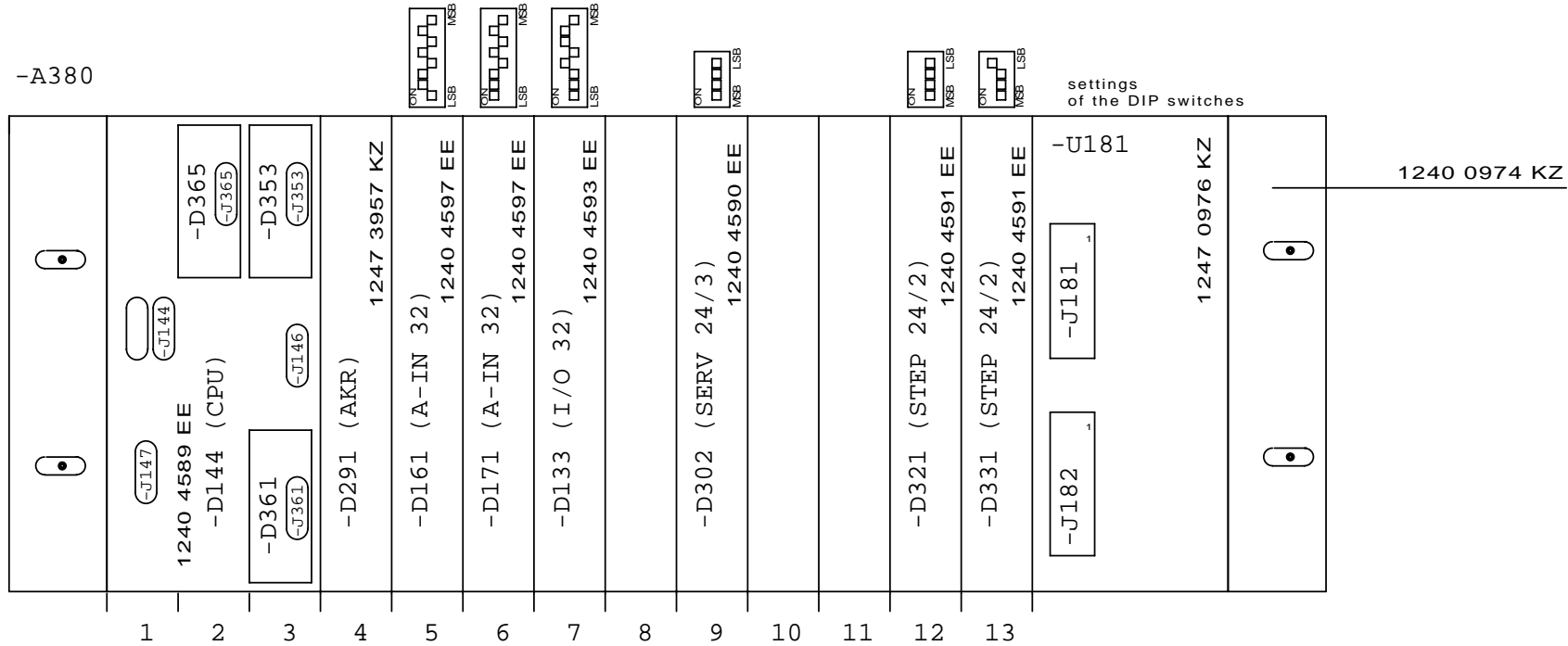
F

reserved

			Date	25.01.07	Plant	Bogra Bangladesh		 © 2006	Designation	wir.diagram		Order no.	646324/646325/646326/ 646328/646329/646331		Type	TCG 2032 V16		=A1
			Resp.	Schild	Plant section													+T1
			Chkd.	Bardel	Engine													
State	modif.	Date	name	Norm	25.01.06	Source	replacem. f.		TEM-Evo-AGS	part number	1247 4827	UE	Identure no.	0479-91				from 40

0 1 2 3 4 5 6 7 8 9

-A380



CPU

knock governor

analog input

analog input

digital input/output

empty slot
(blind covering)

speed governor

empty slot
(blind covering)

empty slot
(blind covering)


stepper motor card
mixer A

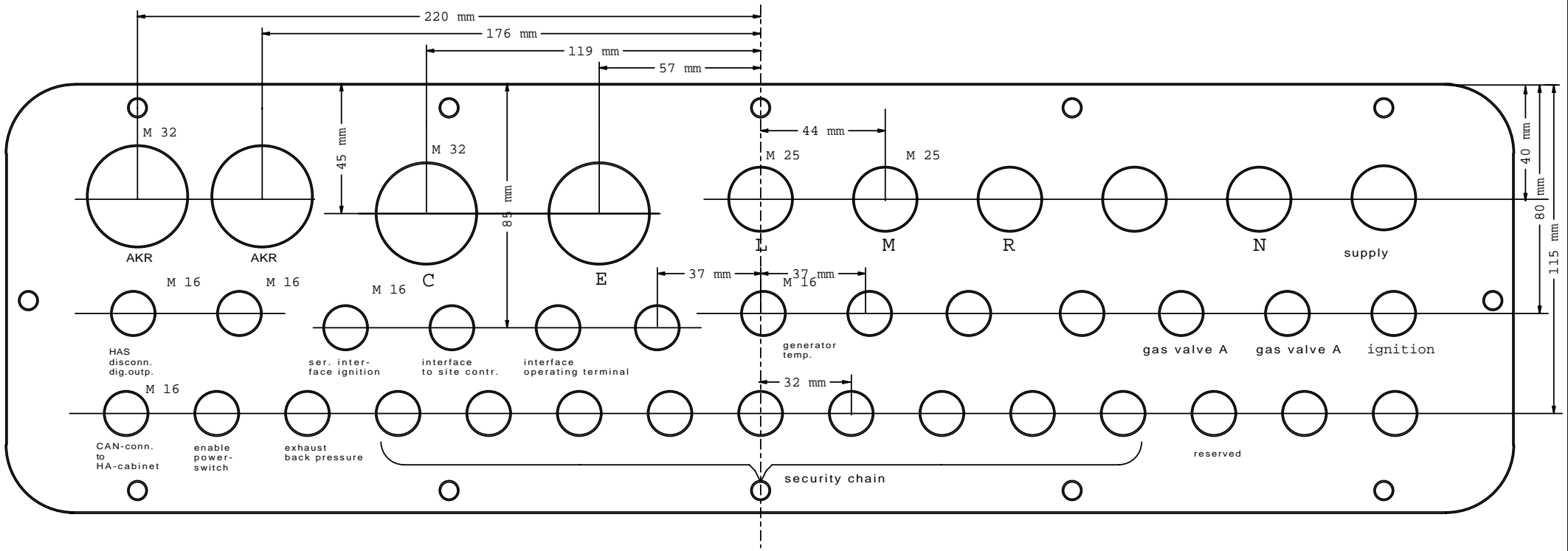
stepper motor card
mixer B

power supply

supply 24V

slot overview TEM terminal


			Date	25.01.07	Plant	Bogra Bangladesh	 © 2006	Designation	Order no.	Type	=A1
			Resp.	Schild	Plant section			wir.diagram	646324/646325/646326/ 646328/646329/646331	TCG 2032 V16	+T1
			Chkd.	Bardel	Engine			TEM-Evo-AGS	part number	Identure no.	page
State	modif.	Date	name	Norm	25.01.06	Source	replacem. f.	1247 4827 UE	0479-91	from	38 40



bores

- M 16: 16.5 mm
- M 25: 25.5 mm
- M 32: 32.5 mm

cable inlets base plate


				Date	25.01.07	Plant	Bogra Bangladesh			Designation	Order no.	Type	=A1
				Resp.	Schild	Plant section		© 2006	wir.diagram	646324/646325/646326/ 646328/646329/646331	TCG 2032 V16	+T1	
				Chkd.	Bardel	Engine			part number	1247 4827 UE	Identure no.	0479-91	page 39
State	modif.	Date	name	Norm	25.01.06	Source	replacem. f.					from 40	

material list

No.	Qty.	name	item No.	DEUTZ ref. no.	supplier	reference	remark
1	1	Circuit breaker 3A type C	5 700 550		DEUTZ	=A1+T1-F128	
2	1	circuit breaker 6A type B	5 700 510		DEUTZ	=A1+T1-F125	
3	1	circuit breaker 0.5A type C	5 700 530		DEUTZ	=A1+T1-F110	
4	3	circuit breaker 6A type B, w/aux. contact	5 700 500		DEUTZ	=A1+T1-F122, =A1+T1-F121, =A1+T1-F127	
5	1	circuit breaker 0.5A type Z	5 700 560		DEUTZ	=A1+T1-F130	
6	3	CONTACTOR 3RT1016-2BB42, DC 24V	5 800 430		DEUTZ	=A1+T1-K110, =A1+T1-K342, =A1+T1-K343	
7	4	Relay coupler 24 VDC	4 500 153		DEUTZ	=A1+T1-K136, =A1+T1-K37, =A1+T1-K341	
						=A1+T1-K340	
8	1	VMEbus-card DZR SERV 24/3-1	4 000 003	1240 4590 EE	DEUTZ	=A1+T1-D302	**
9	1	VMEbus board I/O 32-1	4 000 004	1240 4593 EE	DEUTZ	=A1+T1-D133	**
10	2	VME bus-card SMK STEP 24/2-1	4 000 018	1240 4591 EE	DEUTZ	=A1+T1-D331, =A1+T1-D321	**
11	1	Anti-knock governor card DSP-AKR-1	4 000 021	1247 3957 KZ	DEUTZ	=A1+T1-D291	**
12	1	Terminal interface module AKR	4 000 040	1240 4587 EE	DEUTZ	=A1+T1-A293	
13	1	Emergency cutoff module SRB-NA-C.6-24VDC	4 000 053	1247 0915 EE	DEUTZ	=A1+T1-A110	
14	1	module SERMOD 1.0	4 000 055	1240 4596 EE	DEUTZ	=A1+T1-A132	
15	1	Watchdog WAT24-1	4 000 061	1240 4599 EE	DEUTZ	=A1+T1-A137	
16	1	VMEbus-CPU unit CPU-1	4 000 071	1240 4589 EE	DEUTZ	=A1+T1-D144	**
17	2	VMEbus board A-IN 32-1	4 000 080	1240 4597 EE	DEUTZ	=A1+T1-D171, =A1+T1-D161	**
18	1	function selection unit FAE-M	4 000 095	1247 0982 KZ	DEUTZ	=A1+T1-D364	
19	1	service PC (SPC)	4 000 098		DEUTZ	=A1+T1-A364	
20	1	VMEbus subrack (RACK13)	4 000 161	1247 0974 KZ	DEUTZ	=A1+T1-A380	
21	1	VMEbus supply unit PS50	4 000 162	1247 0976 KZ	DEUTZ	=A1+T1-U181	
22	1	Emergency cutoff mushroom-push button switch				=A1+T1-S134	
23	1	ATL-Interface	4 500 670	1247 3951 KZ	DEUTZ	=A1+T1-A232	
24	2	Auxiliary contact S2-H11	5 700200		DEUTZ		
25	1	Circuit breaker 3A type C	5 700 220		DEUTZ	=A1+T1-F111	
26	3	circuit breaker 6A type B	5 700 130		DEUTZ	=A1+T1-F118, =A1+T1-F124, =A1+T1-F120	

* not delivered by Deutz

** Please state order no. when ordering spare part

Date		25.01.07		Plant Bogra Bangladesh		 © 2006	Designation		Order no.		Type		=A1
Resp.		Schild		Plant section			wir.diagram		646324/646325/646326/ 646328/646329/646331		TCG 2032 V16		+T1
Chkd.		Bardel		Engine			TEM-Evo-AGS		part number		Identure no.		page 40
Statemodif.	Date	name	Norm	01.10.03	Source	replacem. f.			1247 4827	UE	0479-91	from 40	